



Mfrs. of Cleaning Automation Products



An ISO 9001 - 2015 Certified Company

CENTRIFUGAL BLOWER





CENTRIFUGAL BLOWER

CLEANTEK Design manufacturing most common types of Centrifugal Blower Fan are Pressure Blowers, Belt Drive Blowers and Volume based Blowers. Pressure Blowers are designed to extract or push air at high pressures in low volume of air, Volume Blowers are designed to extract or push larger volumes of air, rated in cubic feet of air per minute (CFM), at lower static pressure. Cleantek supplying various airflow and pressure capacity Centrifugal Blowers in Mild steel Powder coated version also in Stainless Steel version. Also cleantek manufacturing custom made Centrifugal Blowers as per customer requirements.



MODELS



Stainless steel Blower with Portable Unit



Fume exhaust blowers



Fume exhaust blowers



Flame proof motor with flame proof starter



High Volume Blowers



Belt Drive Model



Flange Mounted Design



Atex Blower



High temperature Blower



Compact Blower



Impeller fan designs

*Custom Made model as per Clients Requirements

APPLICATIONS



CENTRIFUGAL BLOWER FAN

Centrifugal blower is a electro mechanical equipment and convey the air fluid from one place to another place. Our Centrifugal blowers is widely used in dust control, ventilation, cooling,parts drying, parts cooling, hot air drying, combustion, transporting materials, cooling and heating systems, and air conveyor systems.Cleantek blowers are particularly suitable for extraction of polluted air environment like cement factories, Textile mills,Pharmaceuticals plants,Steel mills,Packaging industries, Paper mills, foundries extra. We manufacture Centrifugal Blower Fan Capacity from 100 CFM to 35000 CFM.

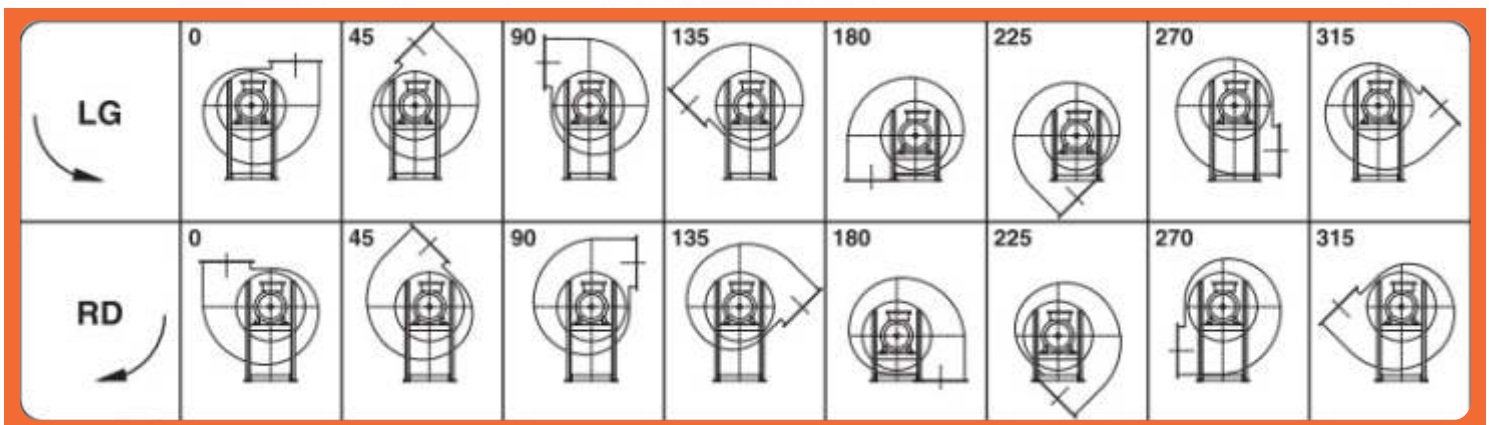
Many industries required move the air or gas from one place to another place and here blowers are helps are use to here.Blower consist electrical motor, Impeller fan and fan housing . Air volume is depends upon the system connected with blower and load resistant. Forward curve Impeller, reverse curve impeller and straight leaf impeller etc.. are used to design the required volume and pressure in air blowers.

APPLICATIONS OF AIR BLOWERS:

- Dusty air suction , Dust collection from various production process
- Kitchen Fume Extraction & Paint Fume Extraction
- Welding Fume Exhaust by high volume blowers
- Ventilation for Various Industries & Cooling of Hot Products
- Dust Blow off
- Conveying of saw dust and wooden chips from wood processing machine.
- High temperature air handled optional design
- Pneumatic conveying & Bottle conveying
- Power Conveying & Parts Drying
- Parts Heating and Cooling etc..

BLOWER OUTLET DIRECTION VIEW

Select model as per your requirement



TECHNICAL SPECIFICATION (2880 RPM MODELS)

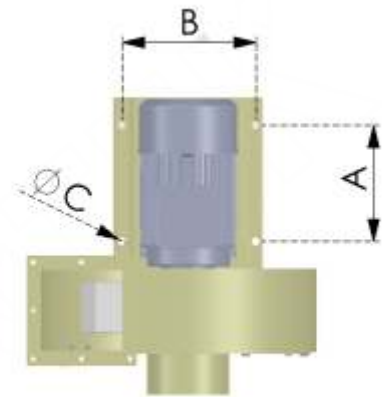
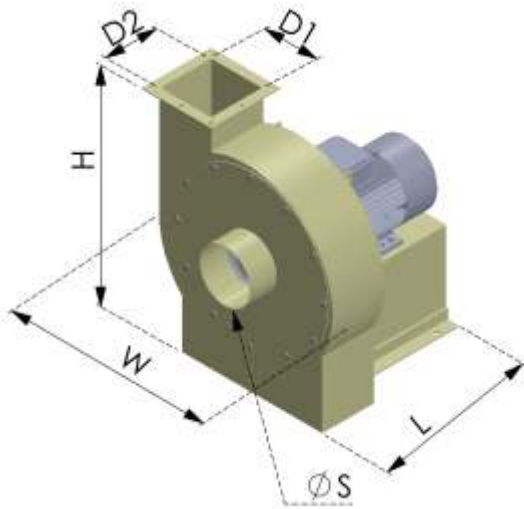
PARAMETERS	CB	CB1	CB2	CB3	CB5	CB7	CB10	CB15
HP	0.5	1	2	3	5	7	10	15
Volts/Hz	415/50	415/50	415/50	415/50	415/50	415/50	415/50	415/50
Airflow in m3/Hr	600	1100	1850	2200	3200	6000	7500	9000
Speed in RPM	2880	2880	2880	2880	2880	2880	2880	2880
Motor Protection	IP55	IP55	IP55	IP55	IP55	IP55	IP55	IP55
Insulation class	F	F	F	F	F	F	F	F

TECHNICAL SPECIFICATION (1440 RPM MODELS)

PARAMETERS	CBHF	CB1HF	CB2HF	CB3HF	CB5HF	CB7HF	CB10HF	CB15HF
HP	0.5	1	2	3	5	7	10	15
Volts/Hz	415/50	415/50	415/50	415/50	415/50	415/50	415/50	415/50
Airflow in m3/Hr	1000	1600	3500	5300	8700	13700	18400	25100
Speed in RPM	1400	1400	1400	1400	1400	1400	1400	1440
Motor Protection	IP55	IP55	IP55	IP55	IP55	IP55	IP55	IP55
Insulation class	F	F	F	F	F	F	F	F

Dimensional View

2880 Centrifugal Blowers (0.5-5HP)

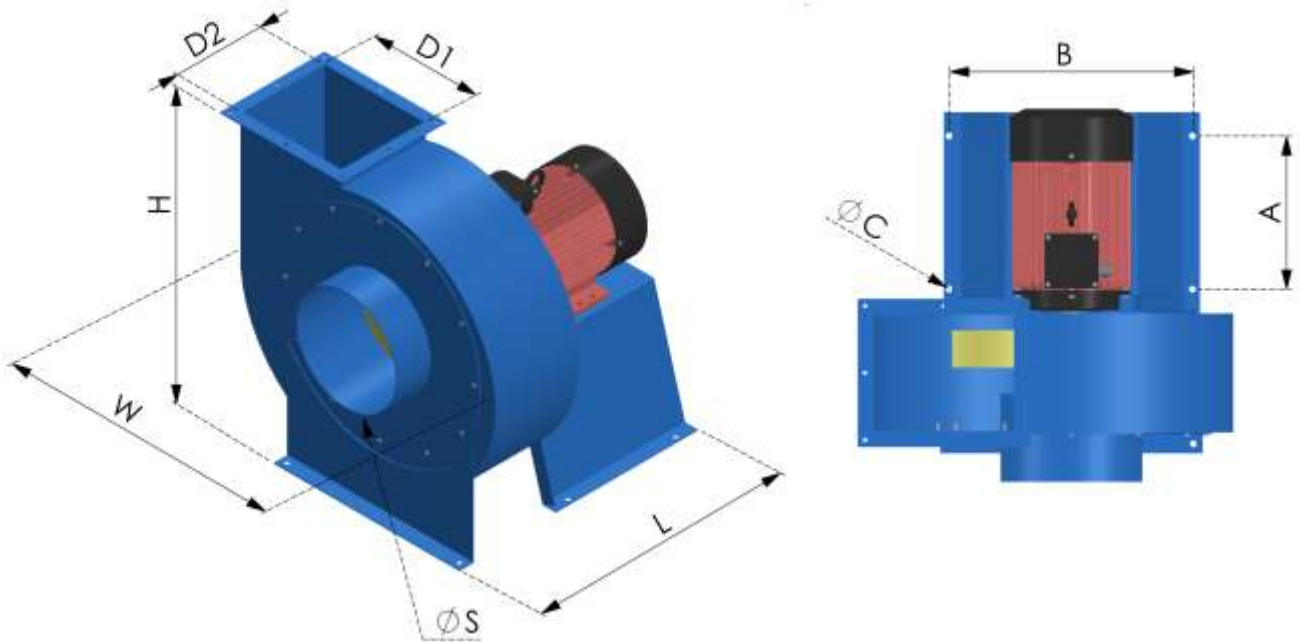


HP	L	W	H	ØS	D1	D2	A	B	ØC
0.5	438	375	435	80	80	80	130	207	14
1	493	475	545	100	100	100	140	227	14
2	483	475	545	125	125	125	180	242	14
3	538	525	625	150	150	150	210	242	14
5	543	575	655	150	150	150	240	262	14

All Dimensions are in mm

Dimensional View

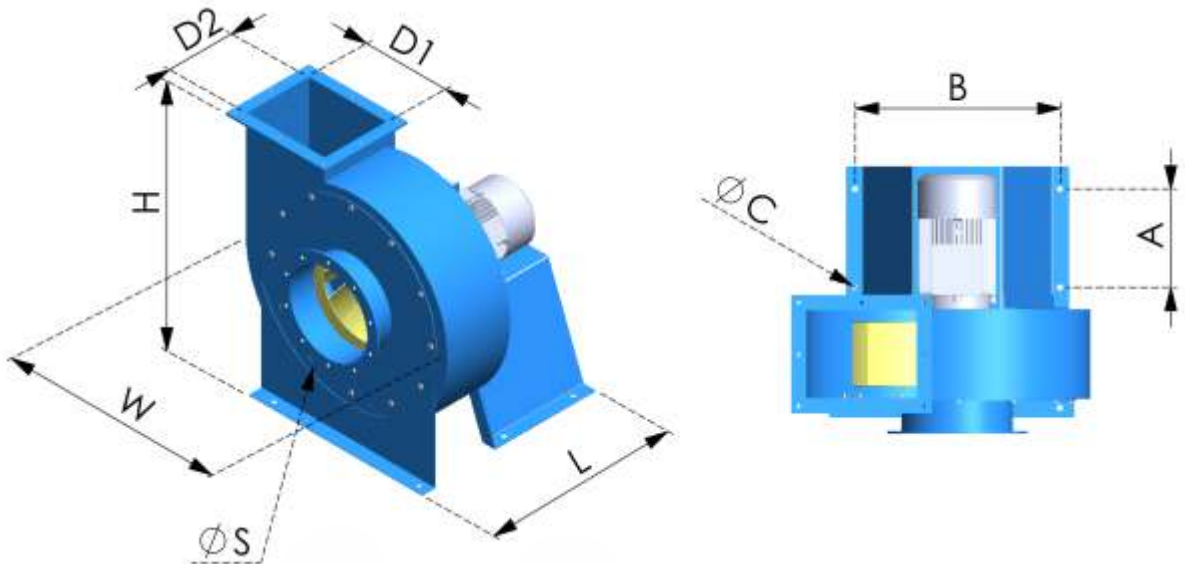
Centrifugal Blower 2880 (7.5&10HP)



HP	L	W	H	ØS	D1	D2	A	B	ØC
7.5	773	520	807	300	300	250	320	510	14
10	773	560	836	350	300	250	320	560	14

All Dimensions are in mm

Centrifugal Blower 1440 (0.5-10HP)



HP	L	W	H	ØS	D1	D2	A	B	C
0.5	418	411	390	150	150	110	130	243	14
1	562	552	638	200	200	200	160	337	14
2	598	670	727	250	250	200	220	460	14
3	721	816	893	340	300	300	220	439	14
5	728	883	934	400	300	300	250	464	14
7.5	822	930	1032	450	350	300	320	540	14
10	823	1025	1060	500	350	300	320	533	14

All Dimensions are in mm

OUR OTHER PRODUCTS



Air knife



Axial Fan Blower



Centralized Vacuum Cleaner



Wet And Dry Vacuum Cleaner



CNC Oil Mist Collector



Dust collector



Hopper Loaders



Hot air Blower



Oil Sump Cleaner



Paint Booth



Ring Blower



Welding Fume Extractor



Three phase dry Vacuum Cleaner



Industrial Vacuum Cleaner wet & Dry



Trim Suction Unit



Wood Dust Collector

Sl.No.	DESCRIPTION	CLEANTEK
1	Date Of Registration of Establishment	07 – 09 - 2006
2	Founder & Chief Executive	A. Krishnamoorthy
3	Experience In this Field	25 Years
4	Date Of Registration of Establishment	Own Building Own R & D Own Manufacturing Facility Assembly & Testing Facility New Developments Support Sales & marketing Installation & Service Support Team
5	Number Of Employees	50+
6	Installation	Satisfied clients 10,000 +
7	Head Quarters	Coimbatore
8	Certification	An ISO 9001-2015
9	Quality	Organized & Quality Management System
10	Branches	Chennai , Bengaluru, Coimbatore
11	Membership	CODISSIA, SIEMA, ICCI, BIEOA
12	Registered in Govt	ESI, EPF, NSIC
13	Trade mark	Registered
14	Industry	MSME

THANKS FOR OUR VALUABLE CUSTOMERS



More than 6000+
customers all over India & Abroad



CLICK HERE FOR OUR
FACEBOOK PAGE



www.cleantekindia.com



CLICK HERE FOR OUR
DEMO VIDEOS



+91 9500266693

+91 9994352001 | +91 9894214994



0422-2984994



sales@cleantekindia.com | krishna@cleantekindia.com



COIMBATORE

Head Office

479/4, Site No.22 & 23,
Balaji Industrial Estate,
Kondagampalayam Main Road,
Keeranatham, Saravanampatti Po,
Coimbatore - 641 035,
Tamil Nadu, India.



BANGALORE

Branch Office

C-13, 3rd Floor,
Resident No: 251, Malur Ramaiah
Compound, Jaibheema Nagar,
1st Cross, BTM Layout,
1st Stage Old Madiwala,
Bangalore-560 068, India



CHENNAI

Branch Office

4th Main Rd, Moovendar Nagar,
Bharathi Nagar, Tambaram,
Chennai,
Tamil Nadu-600063, India

